



Name:

Date:

Track:

Weather:

Temperature:

Conditions:

Practice

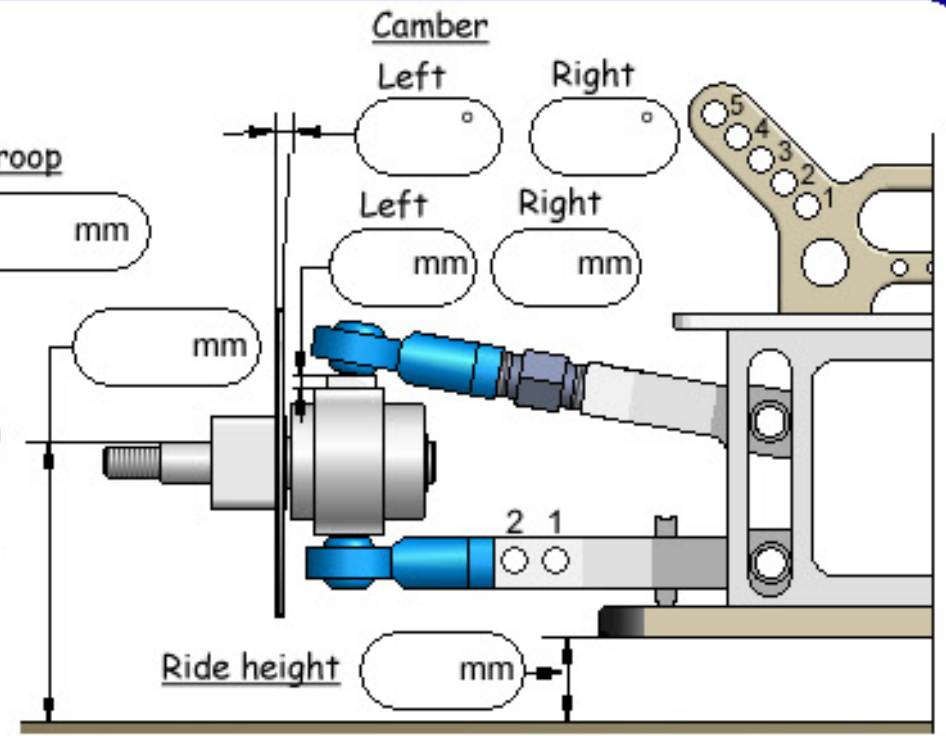
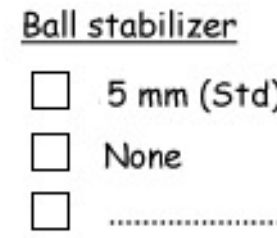
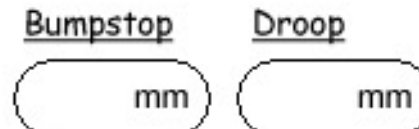
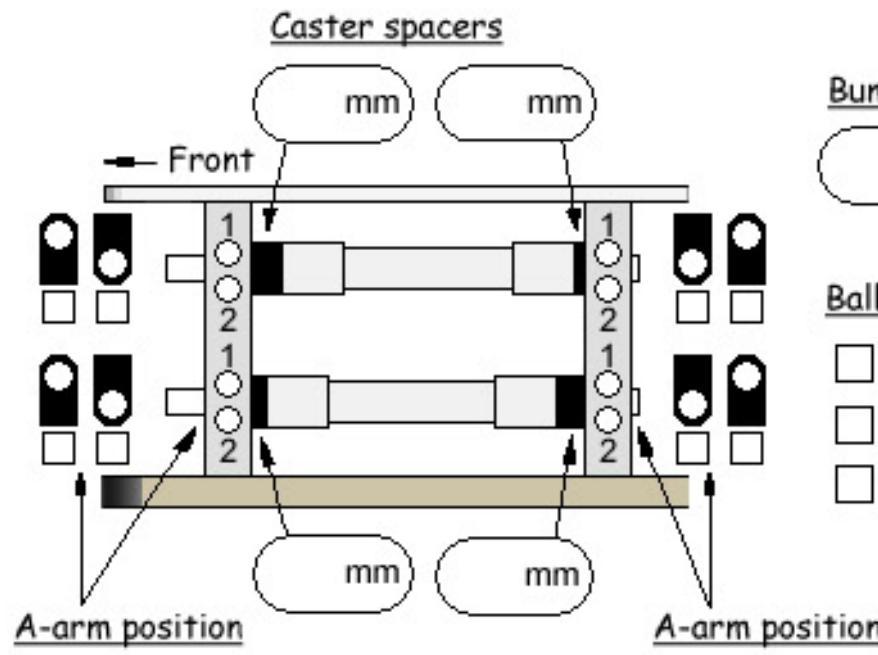
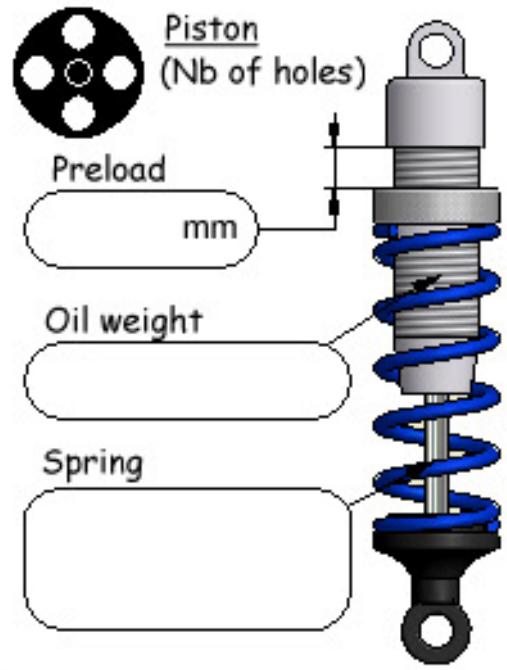
Qualif.

Final

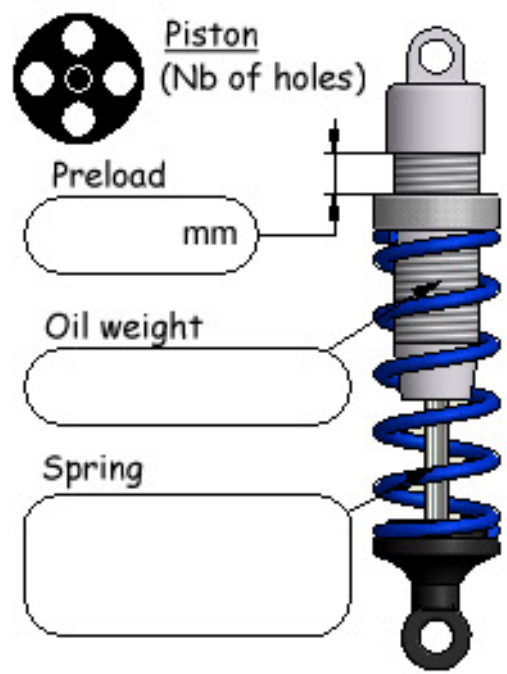
1 2 3

1/2 1/4 1/8

Front



Rear



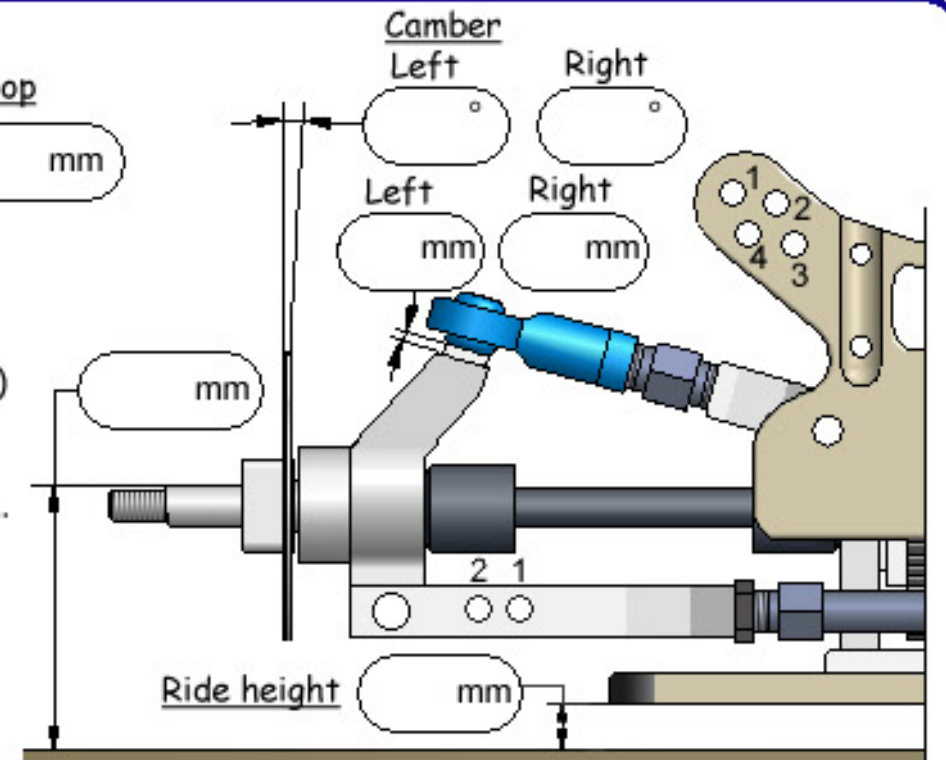
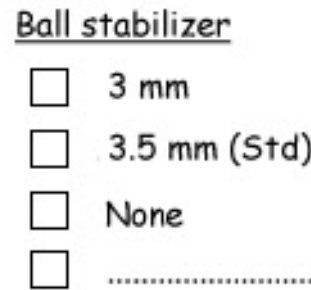
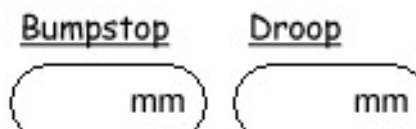
Differential type

- Adjustable (Std)
- Traction. Nb of planet gears:
- Self-locking Type: Magnetic

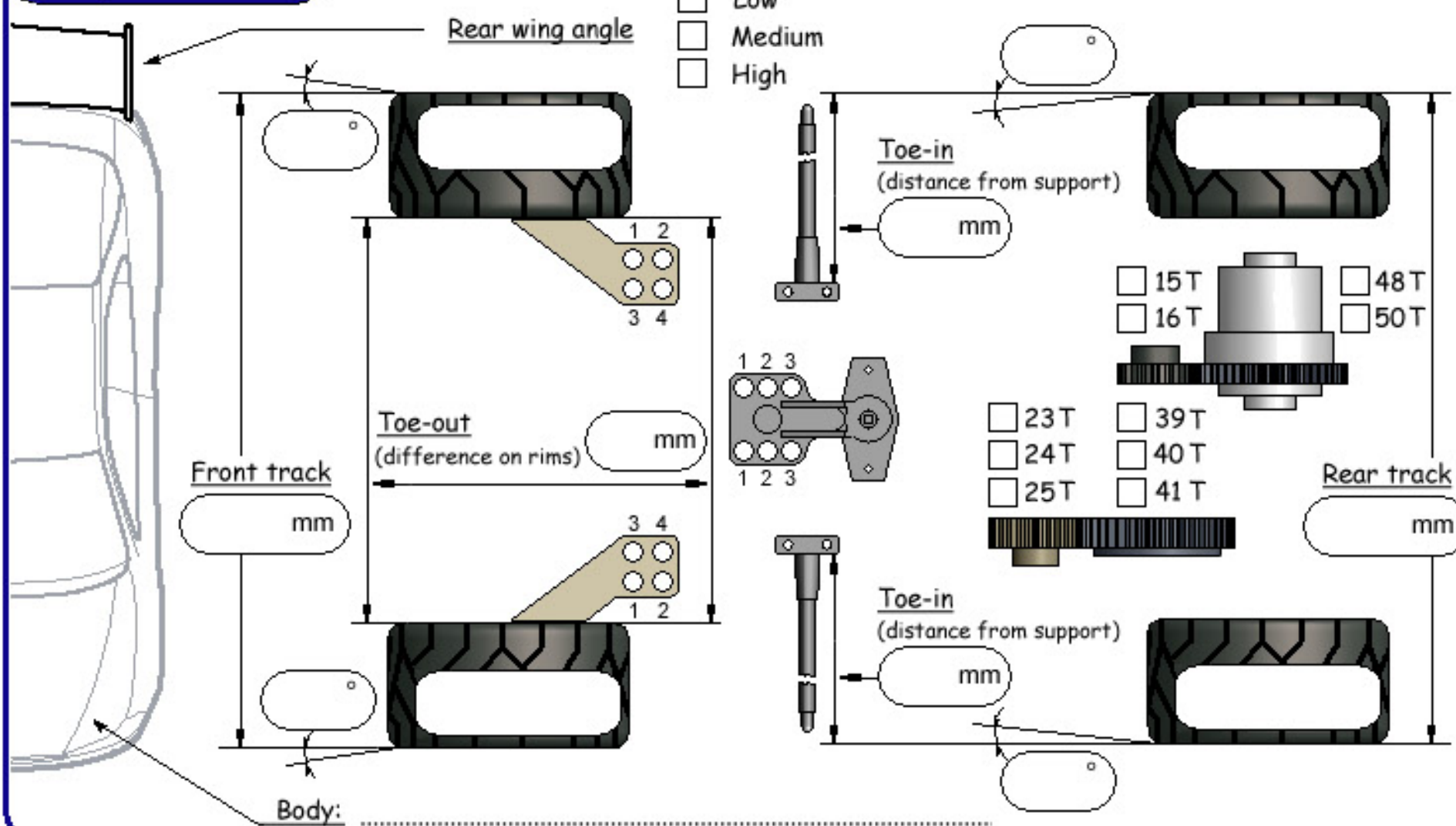
Diff. adjustment

- Loose
- Medium
- Tight

Anti-squat (Lower A-arms)



Top



Track temperature:

- Type: Fast Technical Mixed
- Traction: Low Medium High

Engine:

Airbox:

Exhaust:

Plug:

Clutch:

Oil:

Screw L: Screw H:

Car weight:

Notes

Practice

Best lap:

Leader

Q

F

Qualif. 1 2 3

Position:

Nb. of laps:

Time:

Best lap:

Nb. of laps:

Time:

Best lap:

Final 1/2 1/4 1/8

Position:

Nb. of laps:

Time:

Best lap:

Nb. of laps:

Time:

Best lap: